

Kepler CMOS Camera

KL6060 BI

PRELIMINARY

6K x 6K with 10 micron pixels

The KL6060 BI scientific CMOS camera has the same sensitivity and imaging area as the back-illuminated CCD230-84 CCD, but with a fraction of the noise even at multiple frames per second. Kepler cooled sCMOS cameras provide ultra-high sensitivity, ultra-low noise, and high frame rates, all at game-changing price to performance ratio.

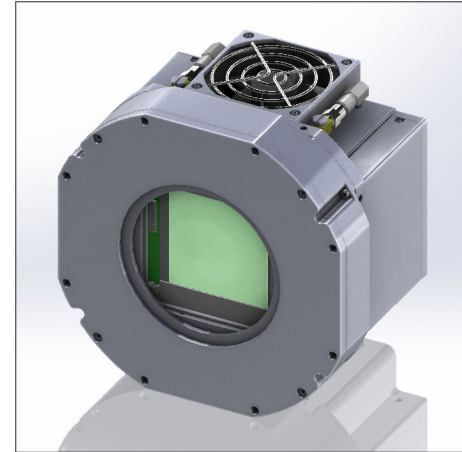
Technical Data

Sensor Type	Back Illuminated CMOS
Sensor	GPixel GSense6060 BI
Shutter Type	Rolling
Active Pixels	6200 x 6144
Pixel Size (microns)	10 x 10 μm
Imaging Area (Diagonal)	62 X 61.4 mm (87.2 mm)
Full Well Capacity	102000 electrons
Typical Readout Noise	3.0 e-
Dynamic Range	90.3 dB
Frame Rate	11 fps (QSFP)
Cooling Method ¹	Air and Liquid
Max. Cooling (Air)	50°C below ambient
Temperature Stability	0.1°C
Dark Current (typical)	0.1 eps at -20C
Interface	USB 3.0 (Optional QSFP ²)
Data Bit Depth	16 bit ³
Optional Shutter	90mm
Optional Mounts	Medium Format Recommended (6x7)
Subarray Readout	Standard
External Trigger In/Out	Standard
SDK / Software	Kepler SDK (Open Source) /
Weight	8.2 lbs (3.7 kg)

¹ Liquid circulation connectors sold separately

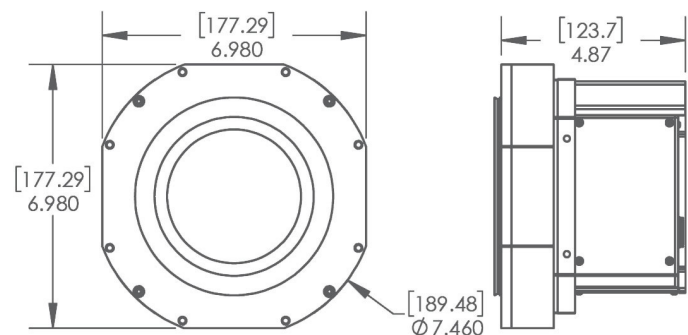
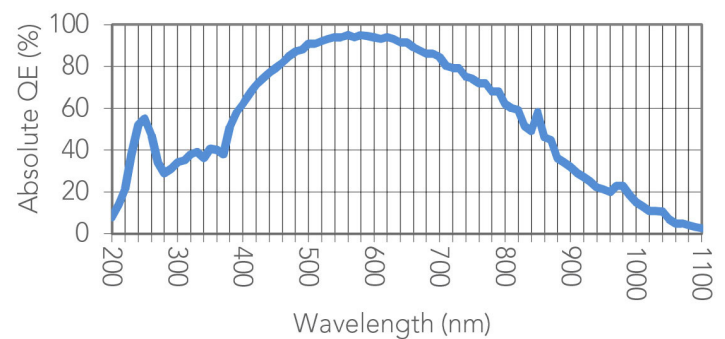
² QSFP = Quad Small Form factor Pluggable: high speed fiber optic interface

³ 16-bit data merged from two 12 bit converters



Also available with 90mm shutter

Absolute Quantum Efficiency



See www.flicamera.com for alternate configurations